

MCP4215L50

150mA MCP4215L50

SOT-223-3

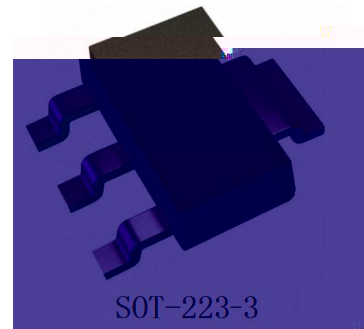
MCU

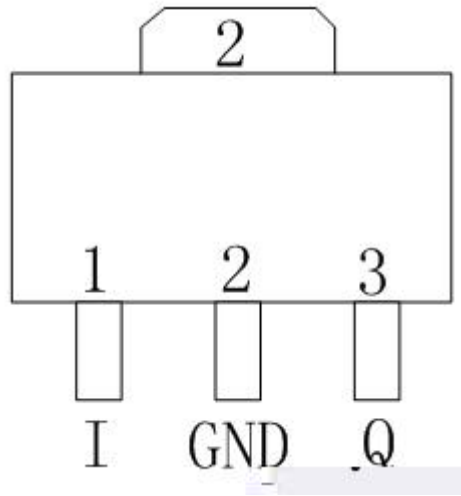
MCP4215L50

$5.5V < V_I < 42V$

$\pm 1\%$ 5V

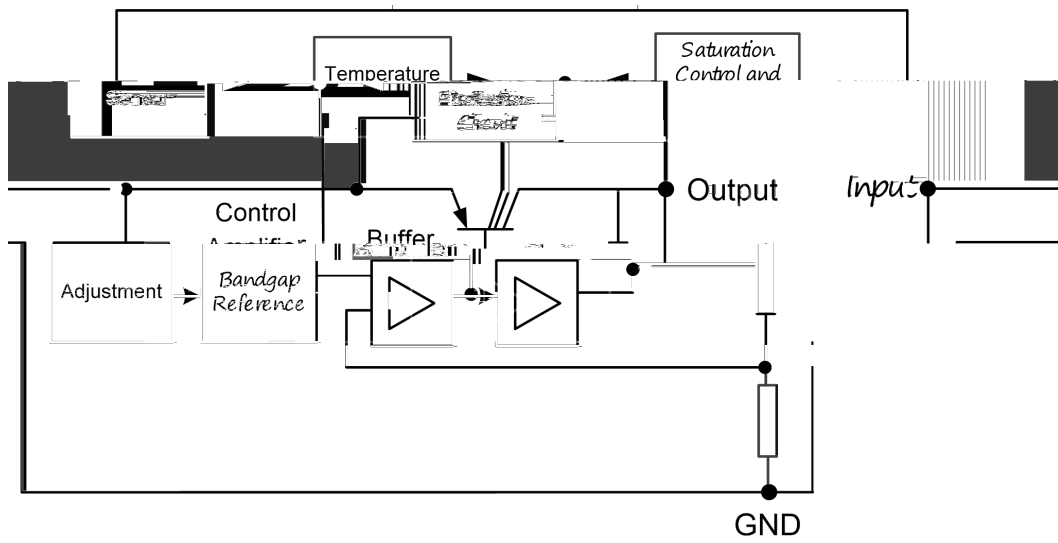
- $\pm 1\%$
- 150mA
- 80uA
-
- AEC-Q100
- RoHs





3-1 SOT-223-3()

1	I	
2	GND	
3	Q	5V CQ 1uF ESR 4



Tj = -40 150

	VI	-0.3	42	V	
	Tj	-40	150		
	Tstg	-40	150		
	Top	-40	125		
	Rthj-a		60	K/W	SOT-223-3
ESD	VESD-HBM ¹⁾	-2000	2000	V	
	VESD-CDM ²⁾	-1000	1000	V	

1) ESD

JESD22-A114

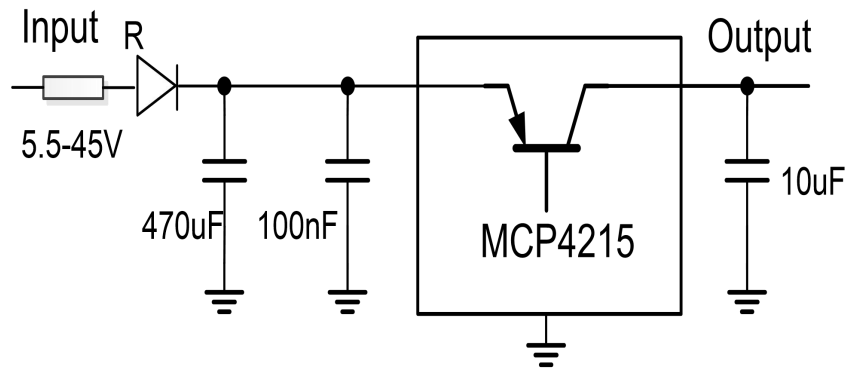
2) ESD

JESD22-C101E

VI = 13.5V -40 Tj 150

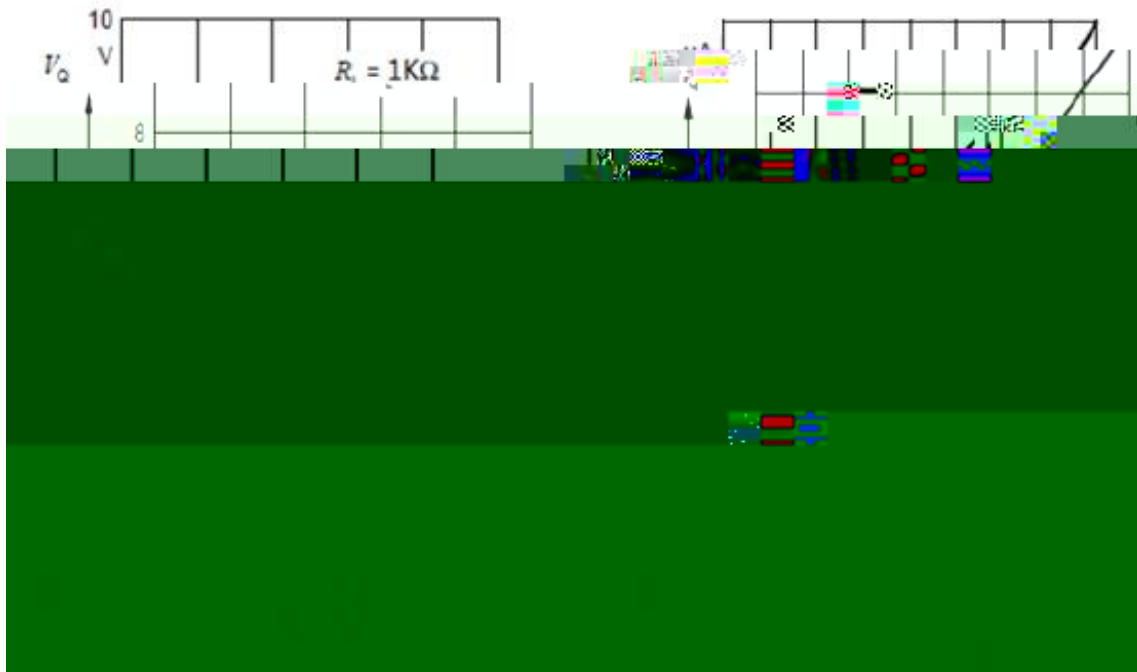
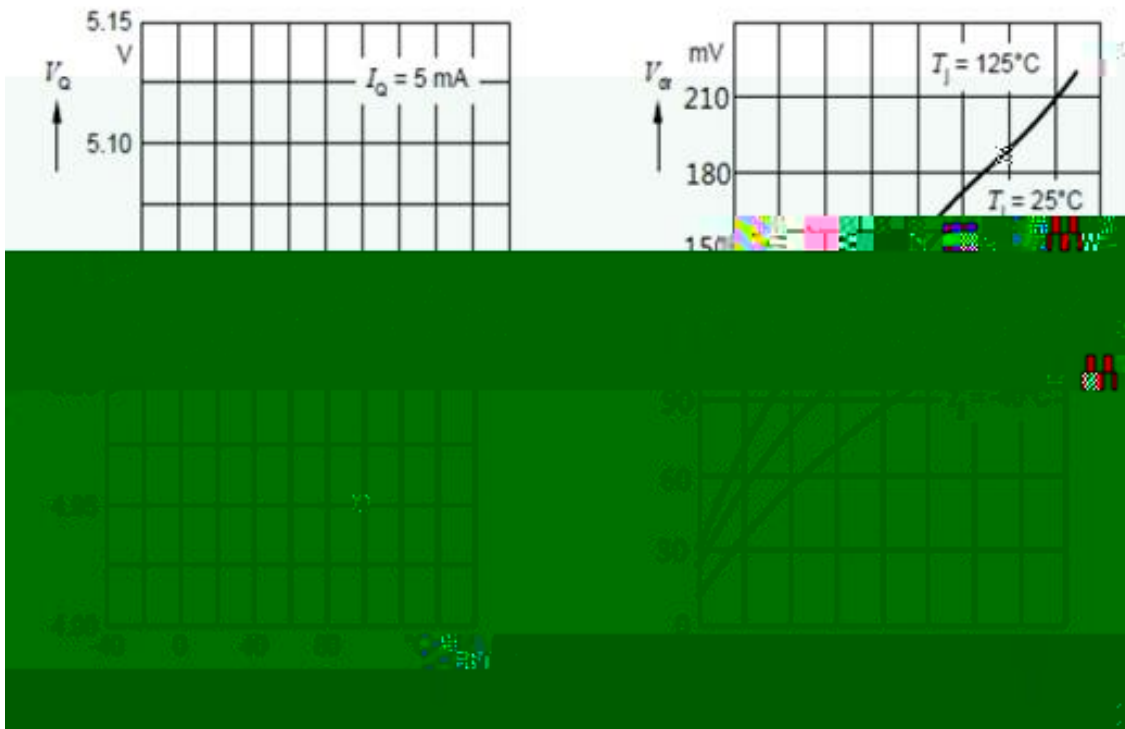
	VI	5.5	13.5	42	V	
	VQ	4.95	5.0	5.05	V	IQ=50mA VI=13.5V
	Ilim		150	300	mA	
	Iq		80	100	uA	IQ = 5mA
	Iq		350	400	uA	IQ = 100mA
	Vdr ¹⁾		0.3	0.5	V	IQ = 100mA
	VQLO		50	100	mV	IQ= 1mA 150mA
	VQLi		2	10	mV	8V<VI<40V IQ = 5mA
	PSRR		70		dB	Fr = 100HZ Vr = 0.5Vpp
	CQ	1			uF	ESR 4 @10KHZ

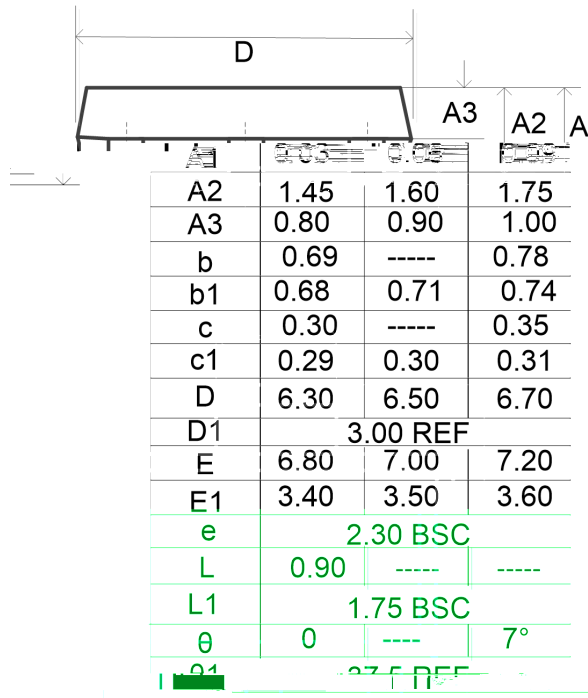
1) =VI-VQ(VI=13.5V VQ 100mV)



6-1

- | | | |
|----|--------------------|------------|
| 1) | $5.5V < V_I < 42V$ | 1% |
| 5V | | |
| 2) | 6-1 | MCP4215L50 |
| | 1uF ESR | 4R |
| 3) | | 100nF |
| | CI | 1R |
| 4) | 6-1 | 470uF |





SYMBOL	MILLIMETER		
	MIN	NOM	MAX
A	1.50	1.65	1.80

