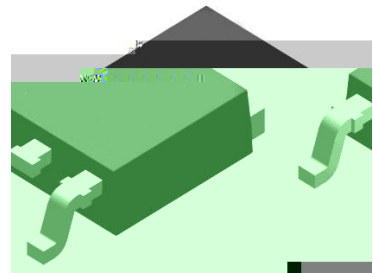
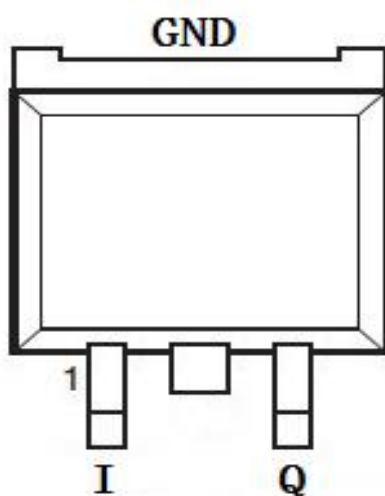
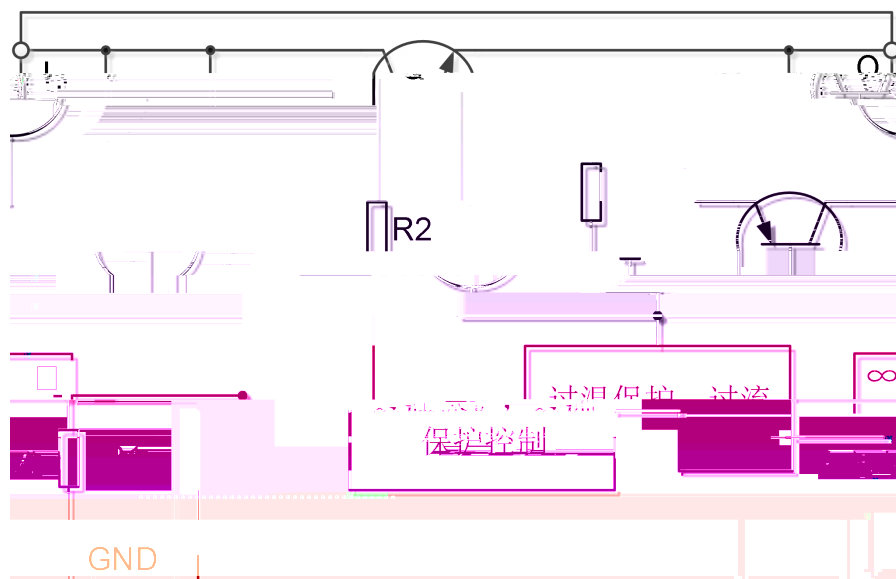
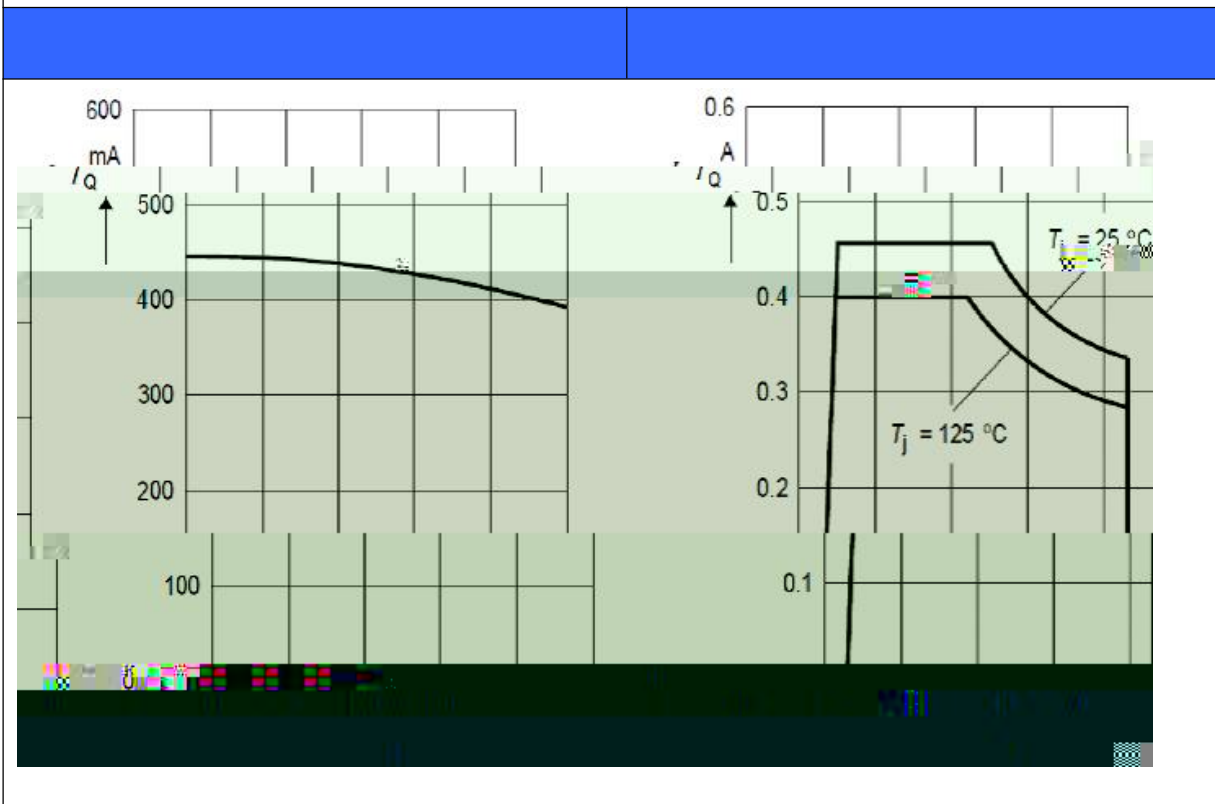
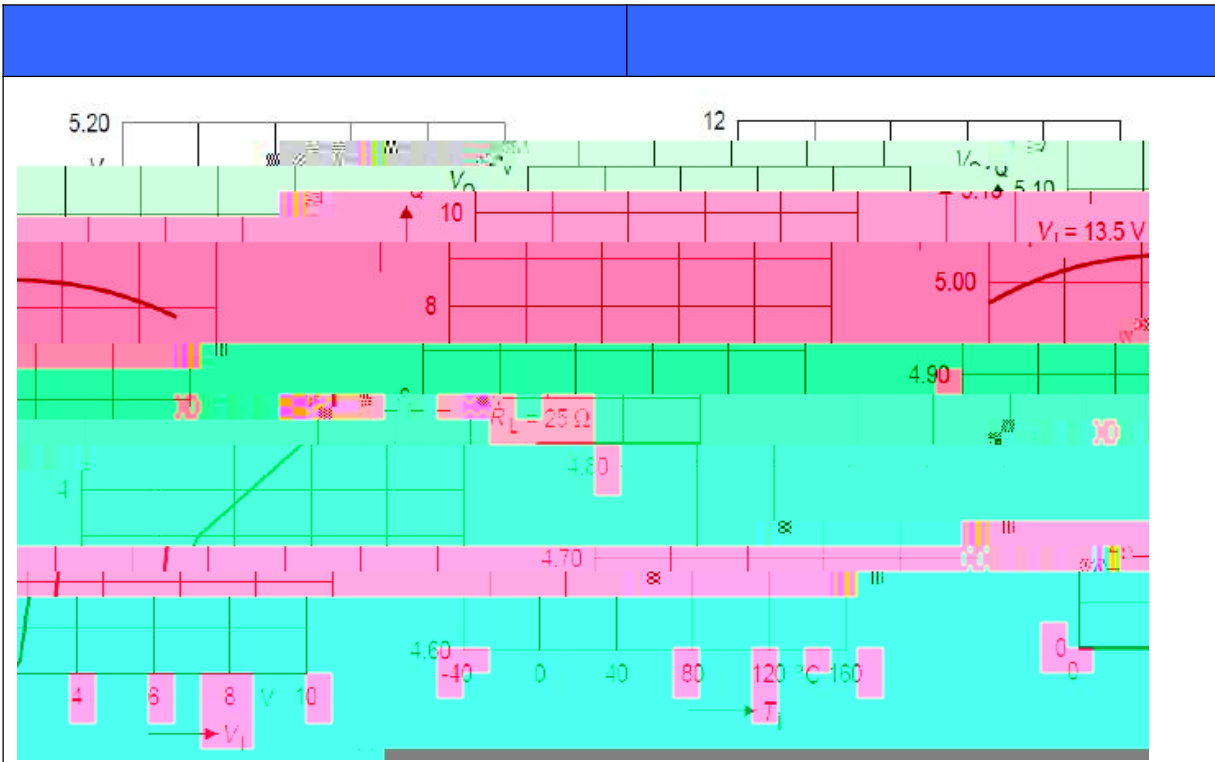
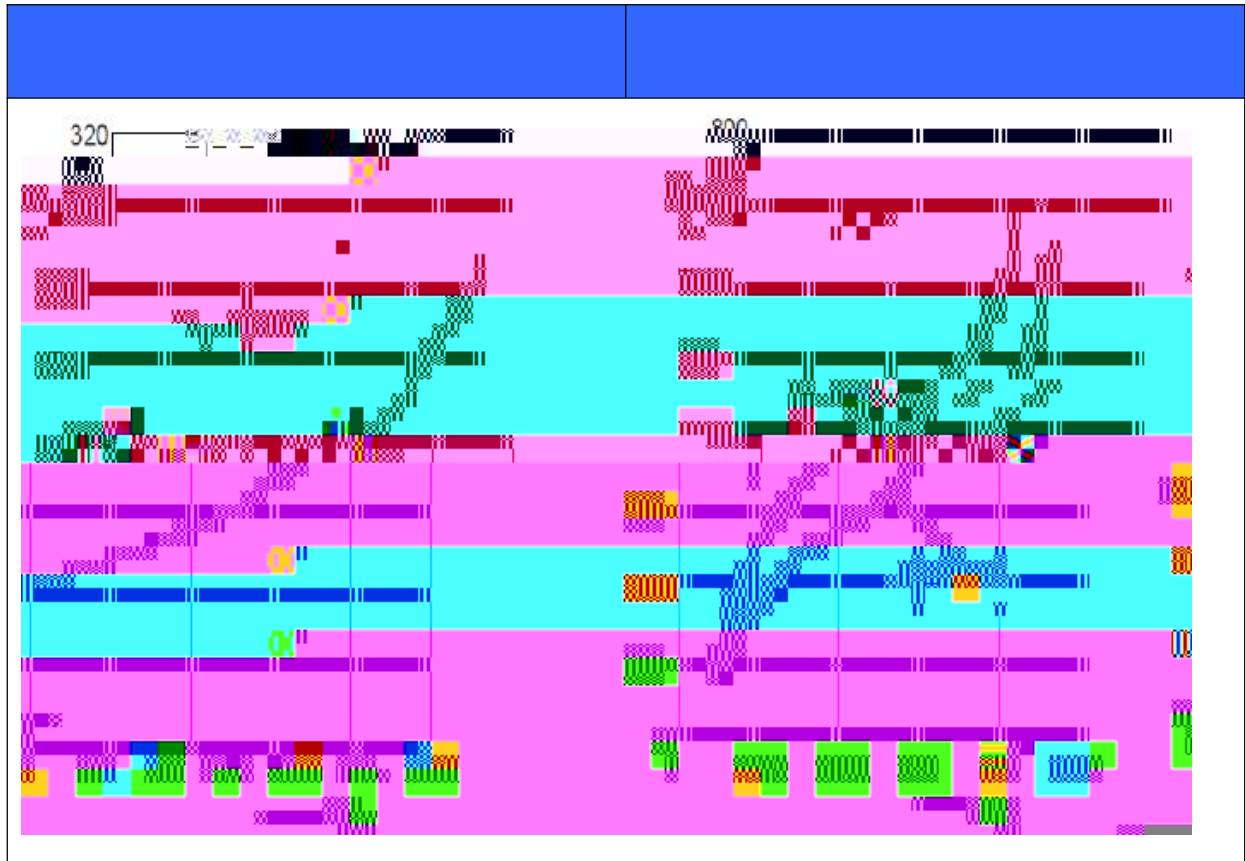


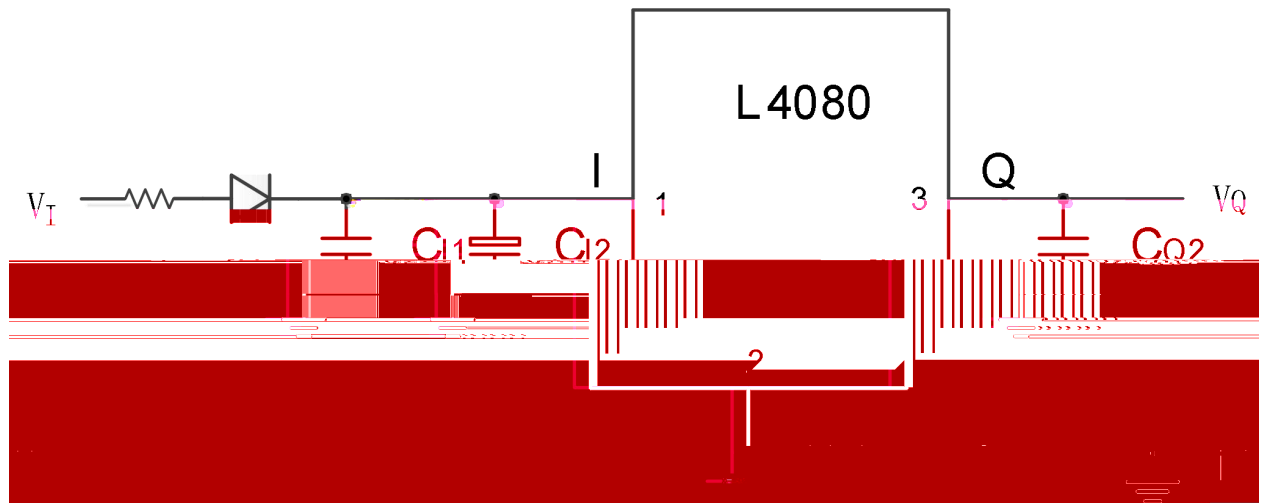
-
-
-
-
-
-
-
-
-

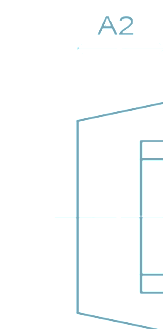
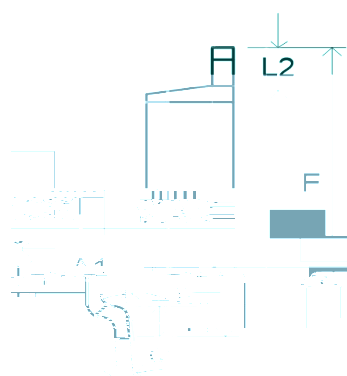
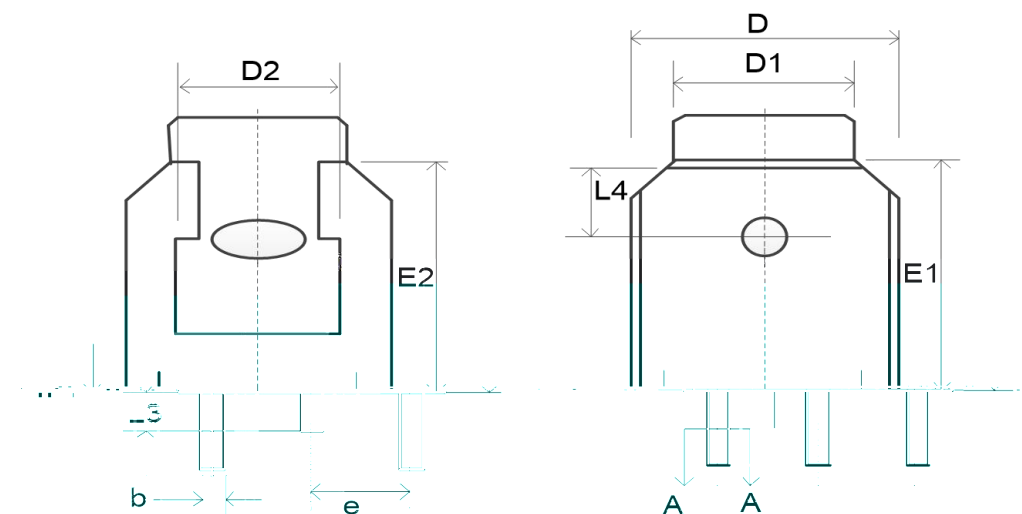




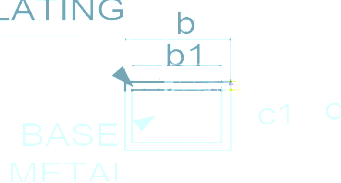








LATING



BASE METAL

	SYMBOL	MILLIMETER		
	A1	0.00	0.10	0.15
	A3	1.02	1.06	1.12
	b	0.75	---	0.84
	b1	0.74	---	0.79
	c	0.49	---	0.57
	c1	0.48	0.508	0.52
	D	6.50	6.60	6.70
	D1	5.334 REF		
	D2	4.70	4.826	4.92
	E	9.90	10.1	10.3
	E1	6.00	6.10	6.20
	E2	5.30 REF		
	e	2.286 BSC		
	L	1.40	1.50	1.60
	L2	0.90	---	1.25
	L3	0.60	0.80	1.00
	L4	1.70	1.80	1.90
	θ	0	---	8°
	L/F 穴径尺寸	198*133		

PI

