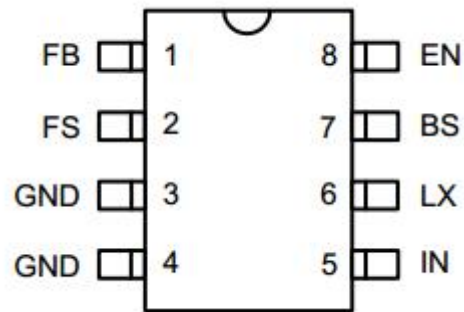
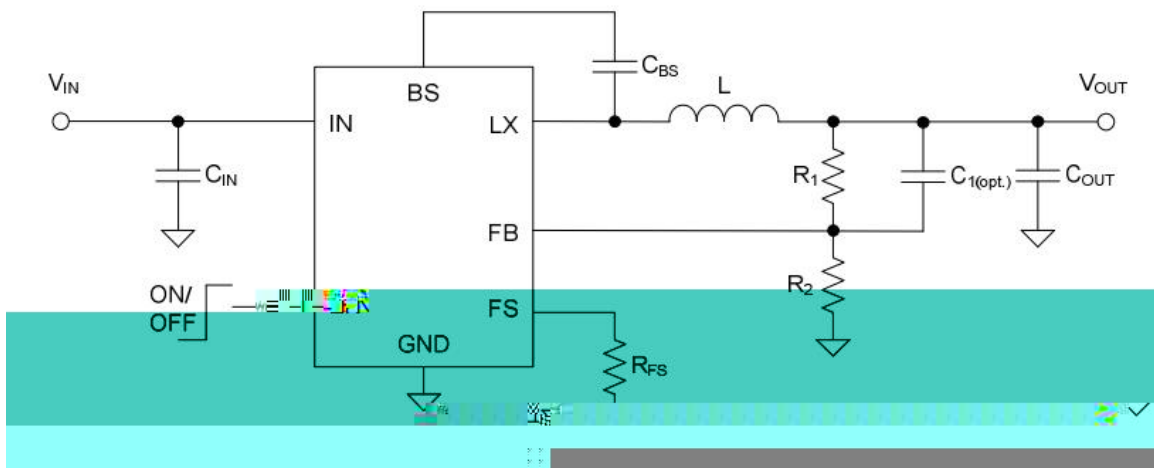


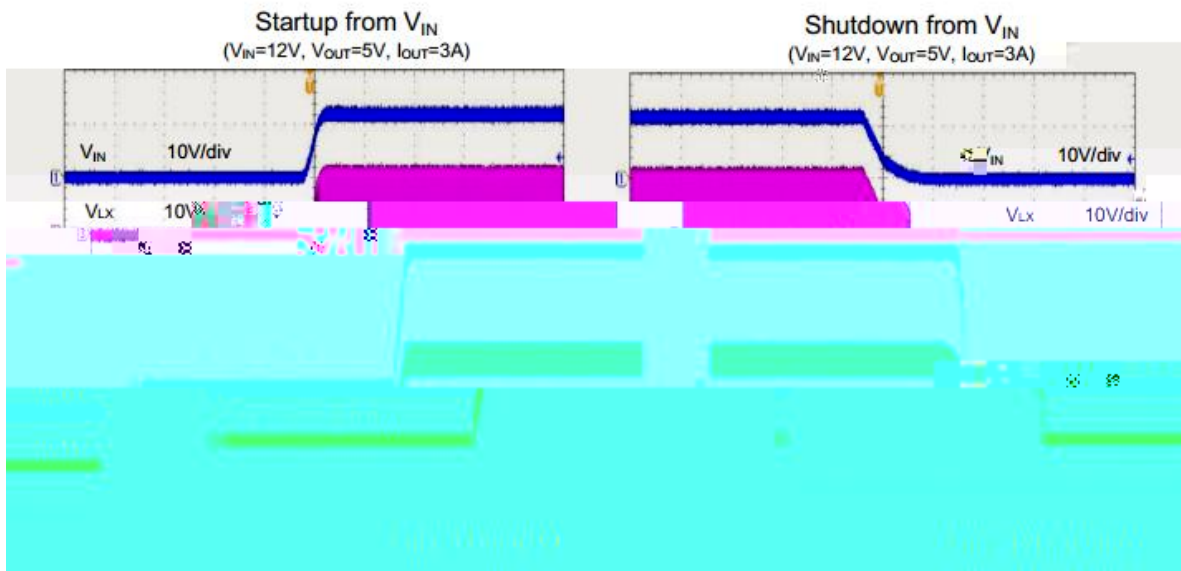
-
-
-
-
-

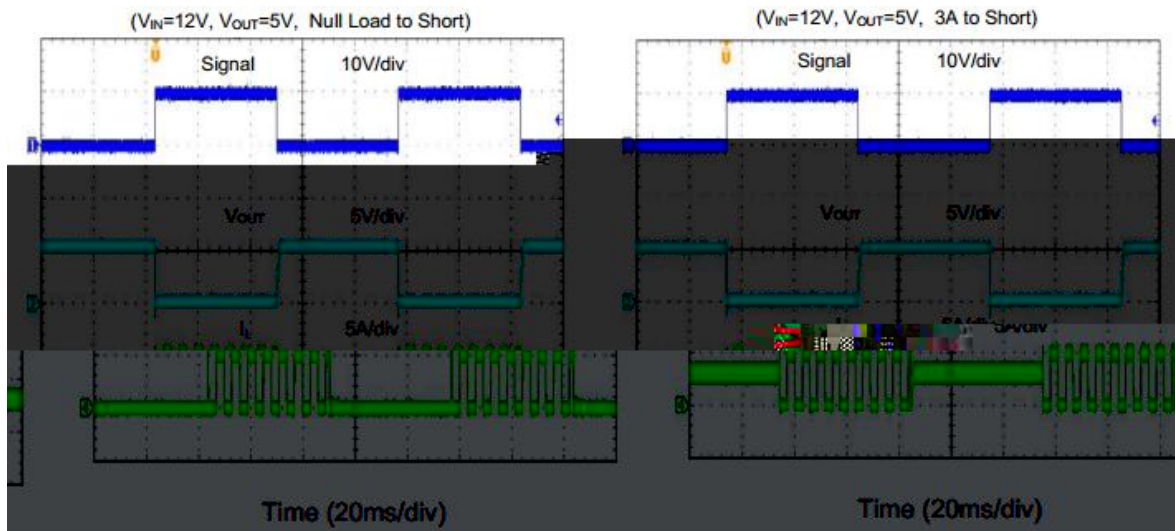
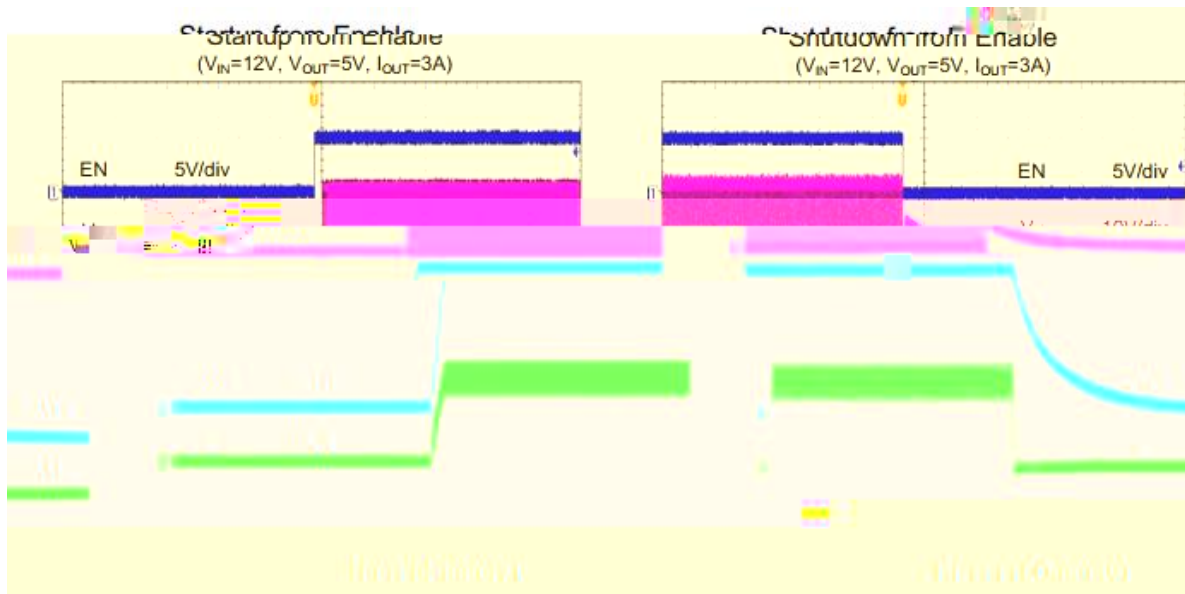


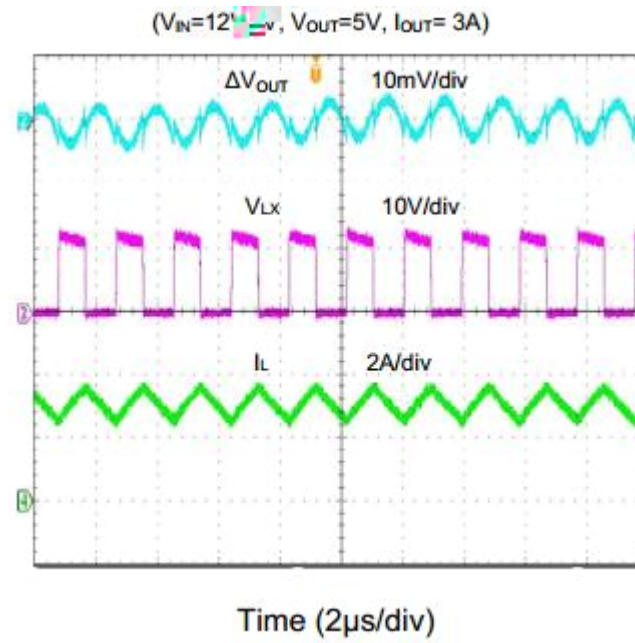
		$= \times + /$
		=



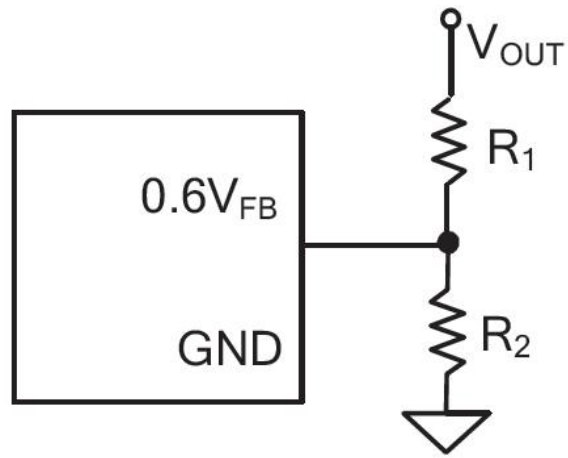
MICHIP







= _____



= $\times \sqrt{\quad}$ -

= $\frac{\quad}{\quad \times \quad}$

$$\approx + \frac{\quad}{\quad}$$

